

3M Safety-Walk™ Anti-Slip Peelable Coating 3500

Technical Data Sheet

October 2014

Description:

3M™ Safety-Walk™ Anti-Slip Peelable Coating 3500 is a blended polymer dispersion with organic particles designed to increase the wet slip resistance of a variety of floors. This 3 coat system is easy to apply and remove.

Key Features:

- Wet Slip Resistance (35+ BPN)*
- Dry Slip Resistance (0.6+ COF)*
- Peelable (Easy to Remove)

* At time of application

Other Features

- Temporary protection (product life depends on surface usage and conditions)
- Easy to apply (can use traditional coating application tools)
- Good chemical and scratch resistance
- Good gloss and aesthetics
- Air dry
- Water-based formulation
- Indoor application only
- Low odour
- 3 coat system.

Application:

Suitable Surfaces:

This product is suitable to be used on hard, flat surfaces such as marble, terrazzo, granite, ceramic tiles, polished concrete and vinyl floors.

It is not recommended for use on soft, highly porous, uneven or textured surfaces such as timber floors and unpolished concrete floors.

Recommended Tools/Equipment:

- 3M™ Safety-Walk™ Edge Sealer 1000
- Mop and bucket
- Swing machine or auto scrubber
- High speed burnisher (min 1500 rpm)
- Wet vac
- 3M™ Scotch-Brite™ Purple Diamond Floor Pad Plus
- 3M™ Sky Blue Polish Pad 3050
- 3M™ Easy Applicator Tool
- 3M™ Easy Trap Duster
- 3M™ ScotchBlue™ 2090 tape
- A sharp cutter or blade
- Applicable PPE – refer to SDS

A) Recommended Floor Preparation

1. Strip the floor of all coatings or polishes (acrylics).

Note 1: Vinyl tiles and VCT tiles with factory coatings do not need chemical stripping. Please seek advice from the tile manufacturer.

Note 2: Stone floors with 3M™ Scotchgard™ Stone Floor Protector do not require chemical stripping.

2. Clean and neutralize the floor thoroughly using 3M™ Neutral Cleaner Concentrate.
3. Buff the floor (High Speed rpm machine) with:
 - 3M™ Purple Diamond Pad 4 passes (on marble, terrazzo and polished concrete)
 - 3M™ Sky Blue 3050 Pad 4 passes (on other types of hard floors and vinyl)
4. Dust the floor with 3M™ Easy trap duster.

B) Application Method

1. Tape the perimeter where the coating is to be applied using 50 mm wide 3M™ ScotchBlue™ 2090 tape (Recommended for its easy removability).
2. Three coats must be applied to achieve performance and peelability. To ensure the correct amount of product is applied per layer use the “coverage table” on page 3.
3. **Invert the container several times to ensure thorough mixing.**
4. For the first coat pour the coating on to the floor (approx 20 cm diameter circle per square metre). Spread out the coating using the application tool. Ensure it is evenly distributed over the floor.
5. Ensure grout (if present) and any grooves are filled with the coating.
6. Allow 2 - 5 hours (depending on conditions) for the coating to completely dry before recoating. If the coating is still tacky allow longer drying time. Blowers may be used to accelerate drying time.
7. Apply the second coat. Follow same procedure in steps 4 and 6.
8. Apply the third coat. Follow same procedure in steps 4 and 6.
9. Once surface is completely dry carefully remove the tape.
Note: If the Anti-Slip coating is delaminating with the tape, use a blade or cutting tool to cut the film alongside the tape.
10. To protect exposed edges apply “3M™ Safety Walk™ Peelable Coating Edge Sealer 1000” according to section C or follow the instructions on the tube.

Commercial Solutions Division

Cleaning & Workplace Safety Portfolios

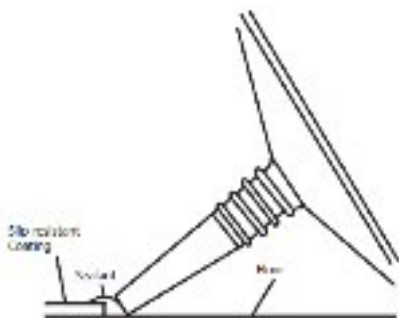
3M Australia Pty Limited - Building A, 1 Rivett Rd., North Ryde, NSW, 2113
3M New Zealand Limited - 94 Apollo Drive, Rosedale, Auckland, 0632

© 3M 2014. All rights reserved.
3M, Scotch-Brite, ScotchBlue, Doodlebug,
Scotchgard and Safety-Walk are trademarks of 3M Company.

C) Edge Sealing

Apply edge sealer to anti-slip coating edges, when coating is dry. In particular edges exposed to any traffic and edges that may come into contact with water.

1. Use tube as an applicator.
2. Place the tip of the tube on the floor surface next to the edge of anti-slip coating.
3. Move tube slowly around outside edges to apply a 2-4 mm wide line of sealer.
4. Ensure the sealant makes contact with both the floor surface and the top surface of anti-slip coating.
5. Allow to dry before permitting traffic.



Please refer to "Safety Walk Edge Sealer 1000" TDS for more details.

Typical Properties:

Test method	Value	
Colour: (Visual)	Milky White (Liquid)	Clear (Film)
Odour:	Low	
Applied Film Thickness :	0.1 mm (1 coat)	0.3 mm (3 coat)

Density: (Liquid)	1.03 g/ml
Viscosity: (Brookfield RVT)	1000 cps
Slip Resistance (wet)*: AS 4586—2013 AS/NZS 4586—2004	35+ BPN
Slip Resistance (dry)*: AS 4586—2013 AS/NZS 4586—2004	0.6+ COF
Fire Test for Flooring Average Critical Radiant Flux: AS ISO 9239.1 - 2003	4.6 kW/ m ²
Chemical Resistance: ASTM D1793 Common cleaning chemicals	Good
Peel Strength: ASTM D3330 F	< 5 N/in
Solids: ASTM D2697	35 % w/w
Flash Point: ASTM D93 (Pensky-Marten Closed Cup Flash Point Tester)	>100 °C

* At time of application

Packaging:

- 10 Litre Container

Application Temperature Range:

Minimum Temperature: 5 °C

Maximum Temperature: 40 °C

Storage conditions:

Store in cool and dry conditions.

Product Shelf Life:

1 year

Maintenance:

Daily Cleaning:

Use a mop & bucket to clean the floor every day. It is recommended to use warm water for improved cleaning. For improved stain removal add 3M™ Neutral Cleaner Concentrate to the water.

Deep Cleaning:

Small areas: For a deep clean, use "3M™ Doodlebug™ General Purpose Brush" with a Doodlebug™ holder No. 6472. Pick up the dirty slurry with a clean damp mop.

Large areas: In order to remove dirt build-up use the 3M™ Doodlebug™ General Purpose Brush Pad 4020F with an auto-scrubber machine. Pick up the slurry using the machine's squeegee. A 3M™ Neutral Cleaner Concentrate can also be used in this process.

NOTE 1: Do not buff or burnish the anti-slip coating.

NOTE 2: Do not use acidic cleaning agents to clean the anti-slip coating.

Removal and Disposal

1. Lift film on a corner edge
2. Peel off using a constant force at a 90 degree angle (between the film and the floor)
3. Use a scraper if required
4. If the area is large consider cutting the film into manageable sections
5. Dispose of film in accordance with the local / regional / national / international regulations.

Durability

Peelability and film durability will be impacted over time by the maintenance regime, traffic levels and traffic type (foot traffic, trolleys, etc). It is recommended that the temporary 3M™ Safety-Walk™ Anti-Slip Peelable Coating 3500 is removed regularly based on the user's assessment of the product's performance (to ensure satisfactory peelability under normal conditions, removal should occur within 6 months). Every situation and application is different so please contact 3M Technical Service on 136136 (Australia) or 0800 252 627 (New Zealand) for further information

Coverage Table:

Ensure correct amount of product is used to achieve the correct dry film thickness. If dry film thickness is not achieved, peelability will be affected. The final dry film thickness of three coats should be 0.3mm minimum.

3M™ Safety-Walk™ Anti-Slip Coverage Table				
Area (m ²)	1 st Coat	2 nd Coat	3 rd Coat	Total
1	250 ml	225 ml	225 ml	700 ml
5	1.3 Litres	1.1 Litres	1.1 Litres	3.5 Litres
10	2.5 Litres	2.3 Litres	2.3 Litres	7 Litres
15	3.8 Litres	3.4 Litres	3.4 Litres	10.5 Litres
20	5 Litres	4.5 Litres	4.5 Litres	14 Litres
30	8 Litres	7 Litres	7 Litres	22 Litres
40	10 Litres	9 Litres	9 Litres	28 Litres
50	13 Litres	11 Litres	11 Litres	35 Litres
100	26 Litres	22 Litres	22 Litres	70 Litres
150	37 Litres	34 Litres	34 Litres	105 Litres
200	50 Litres	45 Litres	45 Litres	140 Litres
300	76 Litres	67 Litres	67 Litres	210 Litres
500	126 Litres	112 Litres	112 Litres	350 Litres
1000	250 Litres	225 Litres	225 Litres	700 Litres

Note 1: To calculate your floor area, measure the length (L) and the width (W) in metres. Multiply the two numbers to calculate the area (A) in square metres. $A (m^2) = L (m) \times W (m)$

Note 2: Add 10% to 15% extra product for the first coat if there are wide or deep grout lines in the floor.

Note 3: The information provided is based on typical conditions and is recommended to be used as a guide only; however, due to the wide variety of intervening factors, 3M does not warrant that the results will necessarily be obtained.

Refer to product Material Safety Data Sheet (MSDS: 33-0453-2) for specific health hazard, first aid and precautionary information.

Important Notice to User:

Technical Information: The technical information, recommendations and other statements contained in this document are based upon tests or experience that 3M believes are reliable, but the accuracy or completeness of such information is not guaranteed.

Product Use: Many factors beyond 3M's control and uniquely within user's knowledge and control can affect the use and performance of a 3M product in a particular application. Given the variety of factors that can affect the use and performance of a 3M product, user is solely responsible for evaluating the 3M product and determining whether it is fit for a particular purpose and suitable for user's method of application.

Limitation of Liability: Except where prohibited by law, 3M will not be liable for any loss or damage arising from the 3M product, whether direct, indirect, special, incidental or consequential, regardless of the legal theory asserted.